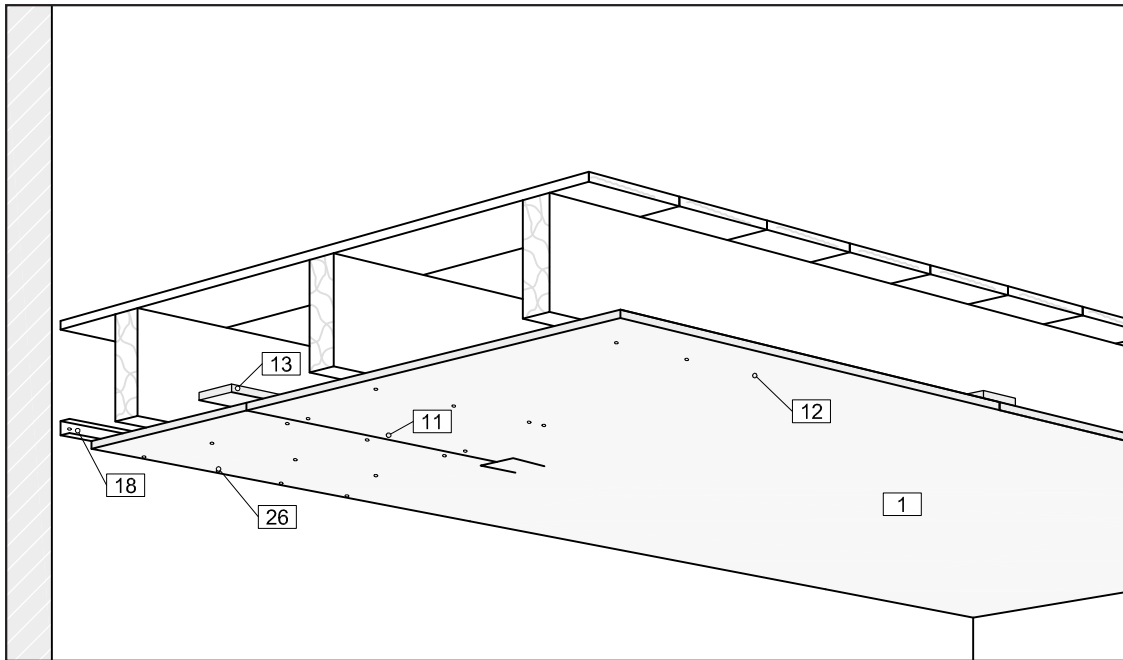


WOODEN BEAM CEILING REI 60

Fire Protection



DESIGN DESCRIPTION

Single layer lining of wooden beam ceiling construction at fire from below for a fire resistance of 60 min.

The installation is made by butt jointing of **THERMAX MA/RS** fire protection boards, which are directly fixed at the timber wood construction at the distance of 250 mm with drywall- or chipboard screws.

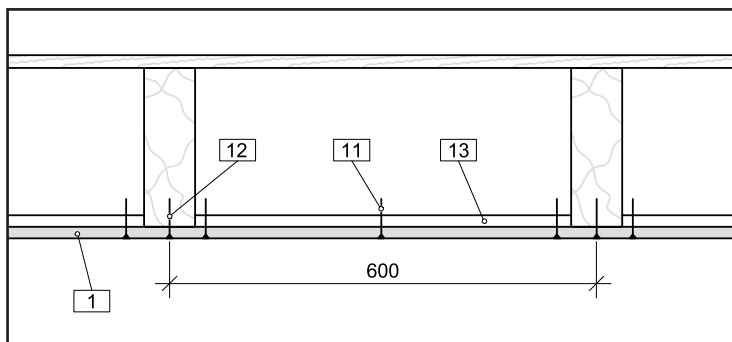
On the joints cover strips made of **THERMAX MA/RS** are mounted. A support in the area of walls is made by using an U-profile that are to be fixed by building authorities approved nail anchors in the solid part. Alternatively, a wall connection is made with **THERMAX** Joint Filler.

A filling of board joints and dowels/screw heads is not required for fire protection.

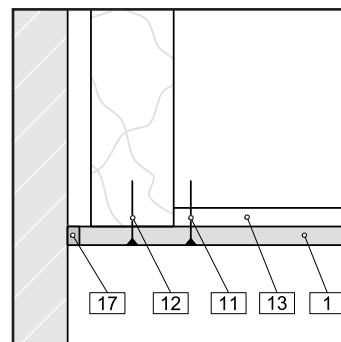
MATERIAL:

- Fire protection boards **THERMAX MA/RS**
th = 16 mm
- Cover strip **THERMAX MA/RS**
th = 16 mm, w ≥ 100 mm
- Joint Filler **THERMAX Fugenfüller**

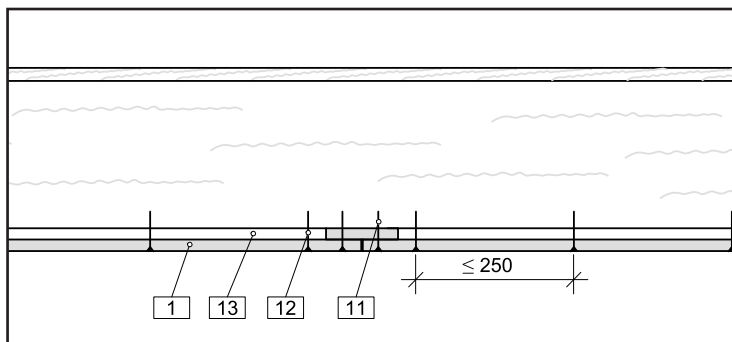
DESIGN DETAILS



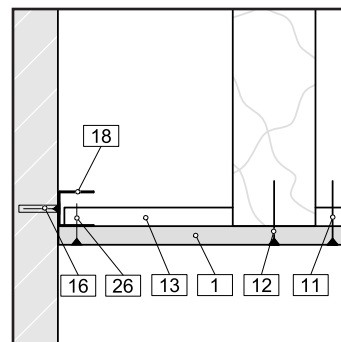
Cross-section A-A



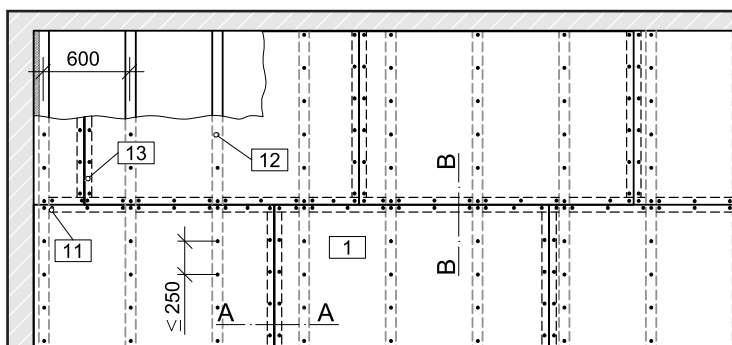
Connection to the wall, Var. 1



Cross-section B-B



Connection to the wall, Var. 2



Reflected ceiling plan

MATERIAL LIST

- | | |
|--|---|
| <p>1 THERMAX MA/RS
fire protection boards
th = 16 mm</p> <p>11 Drywall-/chipbaordscrews
for cover strips
3,5 x 55 mm, distance \leq 250 mm</p> <p>12 Drywall-/chipbaordscrews
3,5 x 55 mm, distance \leq 250 mm</p> <p>13 THERMAX MA/RS
board cover strips
th = 16 mm, w \geq 100 mm</p> <p>16 Nail dowel 6 x 30/5 ZND
distance \leq 500 mm</p> | <p>17 THERMAX Fugenfüller
Joint Filler or fire protection silicon</p> <p>18 U-profile or edge angle
30 x 30 x 0,6 mm</p> <p>26 Drywall screws 3,9 x 25 mm,
distance \leq 500 mm</p> |
|--|---|



Mineralka d.o.o., NL Austria
Nordlandstrasse 1, A-3300 Amstetten

T +43.7472.685 66 0
F +43.7472.685 66 20

visit us
www.thermax.eu

The content of this catalogue and information about it has been provided in good faith, under the exclusion of liability and makes no claim to completeness. The content is provided as assistance to the Mineralka product users and resellers, who are fully responsible for their actions. Stipulations in the official document only are legally binding for the user.